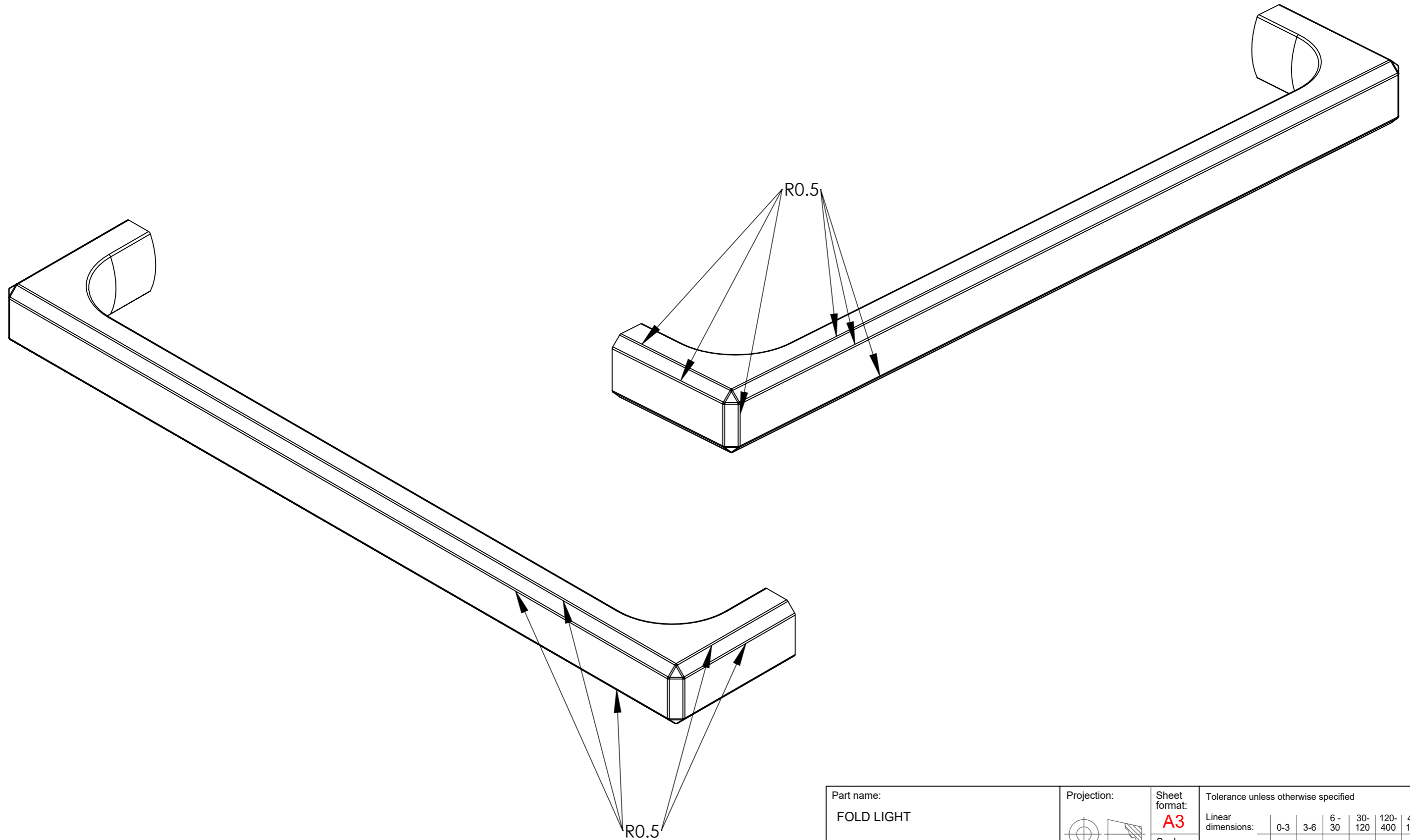



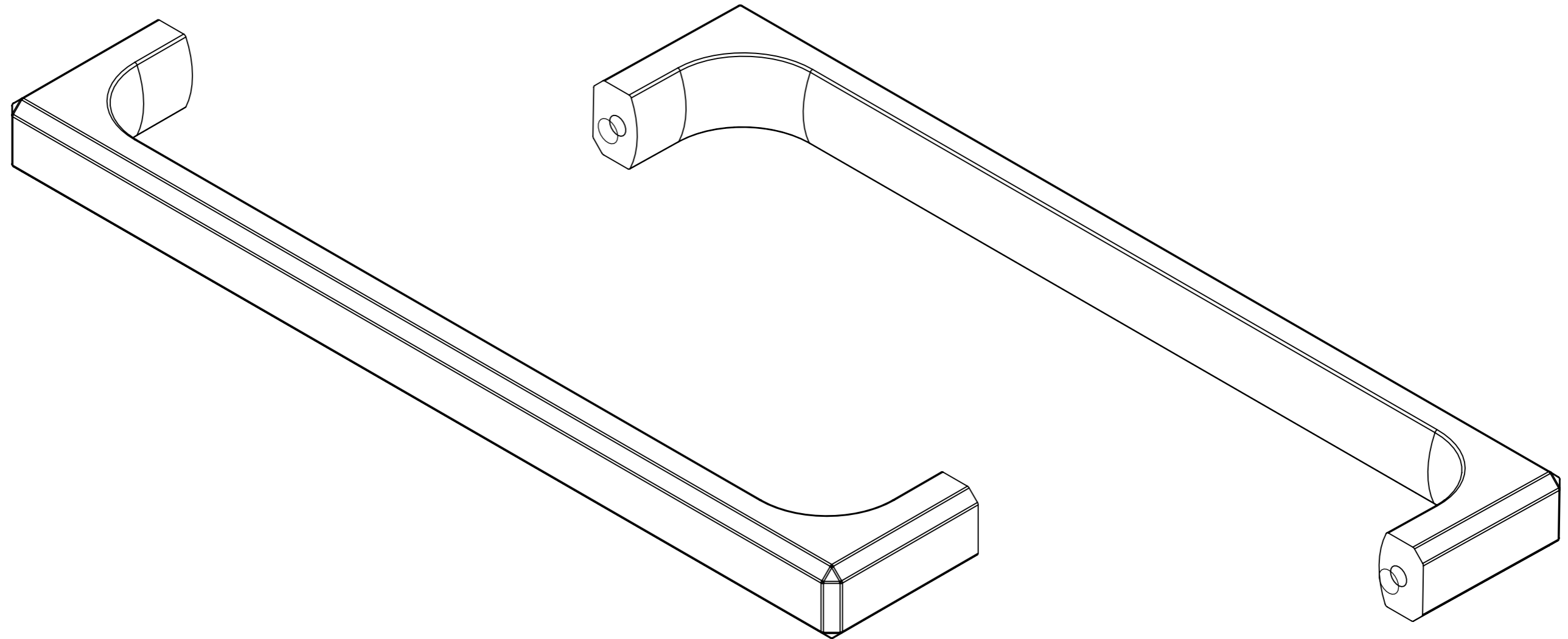
Rev.:	Date:	Name:	Description:
A	27-04-2017	IKR	Initial release

Part name: <b>FOLD LIGHT</b>	Projection: 	Sheet format: <b>A3</b>	Tolerance unless otherwise specified DS/ISO 2768-1M																		
Customer:	Drawn by: <b>IKR date 27-04-2017</b>	Scale: <b>1:1</b>																			
Part no.: <b>541960160</b>	Page 1 of 3	<table border="1"> <thead> <tr> <th>Linear dimensions:</th> <th>0-3</th> <th>3-6</th> <th>6-30</th> <th>30-120</th> <th>120-400</th> <th>400-1000</th> <th>1000-2000</th> <th>2000-4000</th> </tr> </thead> <tbody> <tr> <td></td> <td>± 0.1</td> <td>± 0.1</td> <td>± 0.2</td> <td>± 0.3</td> <td>± 0.5</td> <td>± 0.8</td> <td>± 1.2</td> <td>± 2</td> </tr> </tbody> </table>		Linear dimensions:	0-3	3-6	6-30	30-120	120-400	400-1000	1000-2000	2000-4000		± 0.1	± 0.1	± 0.2	± 0.3	± 0.5	± 0.8	± 1.2	± 2
Linear dimensions:	0-3	3-6	6-30	30-120	120-400	400-1000	1000-2000	2000-4000													
	± 0.1	± 0.1	± 0.2	± 0.3	± 0.5	± 0.8	± 1.2	± 2													
Material: <b>Zinc</b>	Weight: <b>142.58 grams</b>	<table border="1"> <thead> <tr> <th>Angle</th> <th>Radius</th> </tr> </thead> <tbody> <tr> <td>± 0.5°</td> <td>± 5%</td> </tr> </tbody> </table>		Angle	Radius	± 0.5°	± 5%														
Angle	Radius																				
± 0.5°	± 5%																				
<small>Delta 2 DK-8382 Hinnerup Phone: +45 87 64 35 00 Fax: +45 87 64 35 01</small>																					
<small>COPYRIGHT: THIS DRAWING MAY NOT BE COPIED OR REPRODUCED IN ANY WAY WITHOUT DIRECT PERMISSION FROM FURNIPART A/S</small>																					

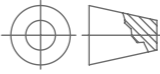


Rev.:	Date:	Name:	Description:
A	27-04-2017	IKR	Initial release

Part name: <b>FOLD LIGHT</b>	Projection: 	Sheet format: <b>A3</b>	Tolerance unless otherwise specified		DS/ISO 2768-1M																		
Customer:	Drawn by: <b>IKR date 27-04-2017</b>	Scale: <b>1.5:1</b>	<table border="1"> <tr> <th>Linear dimensions:</th> <th>0-3</th> <th>3-6</th> <th>6 - 30</th> <th>30- 120</th> <th>120- 400</th> <th>400- 1000</th> <th>1000 2000</th> <th>2000 4000</th> </tr> <tr> <td></td> <td>± 0.1</td> <td>± 0.1</td> <td>± 0.2</td> <td>± 0.3</td> <td>± 0.5</td> <td>± 0.8</td> <td>± 1.2</td> <td>± 2</td> </tr> </table>			Linear dimensions:	0-3	3-6	6 - 30	30- 120	120- 400	400- 1000	1000 2000	2000 4000		± 0.1	± 0.1	± 0.2	± 0.3	± 0.5	± 0.8	± 1.2	± 2
Linear dimensions:	0-3	3-6	6 - 30	30- 120	120- 400	400- 1000	1000 2000	2000 4000															
	± 0.1	± 0.1	± 0.2	± 0.3	± 0.5	± 0.8	± 1.2	± 2															
Part no.: <b>541960160</b>	Page 2 of 3	Material: <b>Zinc</b>	Weight: <b>142.58 grams</b>	<table border="1"> <tr> <th>Angle</th> <th>Radius</th> </tr> <tr> <td>± 0.5°</td> <td>± 5%</td> </tr> </table>		Angle	Radius	± 0.5°	± 5%														
Angle	Radius																						
± 0.5°	± 5%																						
<table border="1"> <tr> <td>Rev.:</td> <td>Date:</td> <td>Name:</td> <td>Description:</td> </tr> <tr> <td>A</td> <td>27-04-2017</td> <td>IKR</td> <td>Initial release</td> </tr> </table>			Rev.:	Date:	Name:	Description:	A	27-04-2017	IKR	Initial release	<p><b>furnipart</b></p> <p>Delta 2      Phone: +45 87 64 35 00 DK-8382 Hinnerup      Fax: +45 87 64 35 01</p>												
Rev.:	Date:	Name:	Description:																				
A	27-04-2017	IKR	Initial release																				
<p>COPYRIGHT: THIS DRAWING MAY NOT BE COPIED OR REPRODUCED IN ANY WAY WITHOUT DIRECT PERMISSION FROM FURNIPART A/S</p>																							



Rev.:	Date:	Name:	Description:
A	27-04-2017	IKR	Initial release

Part name: <b>FOLD LIGHT</b>	Projection: 	Sheet format: <b>A3</b>	Tolerance unless otherwise specified DS/ISO 2768-1M																		
Customer:	Drawn by: <b>IKR date 27-04-2017</b>	Scale: <b>1.5:1</b>																			
Part no.: <b>541960160</b>	Page 3 of 3	<table border="1"> <thead> <tr> <th>Linear dimensions:</th> <th>0-3</th> <th>3-6</th> <th>6 - 30</th> <th>30- 120</th> <th>120- 400</th> <th>400- 1000</th> <th>1000- 2000</th> <th>2000- 4000</th> </tr> </thead> <tbody> <tr> <td></td> <td>± 0.1</td> <td>± 0.1</td> <td>± 0.2</td> <td>± 0.3</td> <td>± 0.5</td> <td>± 0.8</td> <td>± 1.2</td> <td>± 2</td> </tr> </tbody> </table>		Linear dimensions:	0-3	3-6	6 - 30	30- 120	120- 400	400- 1000	1000- 2000	2000- 4000		± 0.1	± 0.1	± 0.2	± 0.3	± 0.5	± 0.8	± 1.2	± 2
Linear dimensions:	0-3	3-6	6 - 30	30- 120	120- 400	400- 1000	1000- 2000	2000- 4000													
	± 0.1	± 0.1	± 0.2	± 0.3	± 0.5	± 0.8	± 1.2	± 2													
Material: <b>Zinc</b>	Weight: <b>142.58 grams</b>	<table border="1"> <thead> <tr> <th>Angle</th> <th>Radius</th> </tr> </thead> <tbody> <tr> <td>± 0.5°</td> <td>± 5%</td> </tr> </tbody> </table>		Angle	Radius	± 0.5°	± 5%														
Angle	Radius																				
± 0.5°	± 5%																				
<table border="1"> <tr> <td colspan="2" style="text-align: center;"><b>furnipart</b></td> </tr> <tr> <td>Delta 2 DK-8382 Hinnerup</td> <td>Phone: +45 87 64 35 00 Fax: +45 87 64 35 01</td> </tr> </table>		<b>furnipart</b>		Delta 2 DK-8382 Hinnerup	Phone: +45 87 64 35 00 Fax: +45 87 64 35 01	<p style="text-align: center;">COPYRIGHT: THIS DRAWING MAY NOT BE COPIED OR REPRODUCED IN ANY WAY WITHOUT DIRECT PERMISSION FROM FURNIPART A/S</p>															
<b>furnipart</b>																					
Delta 2 DK-8382 Hinnerup	Phone: +45 87 64 35 00 Fax: +45 87 64 35 01																				